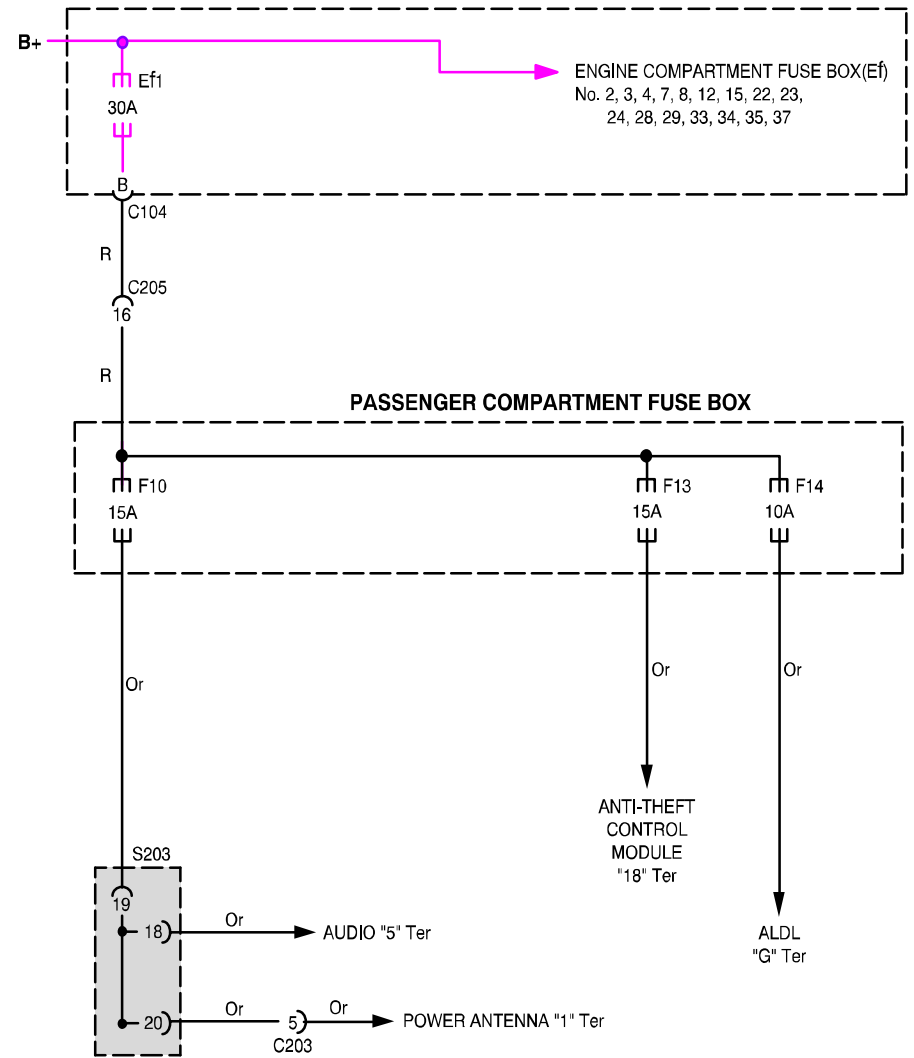
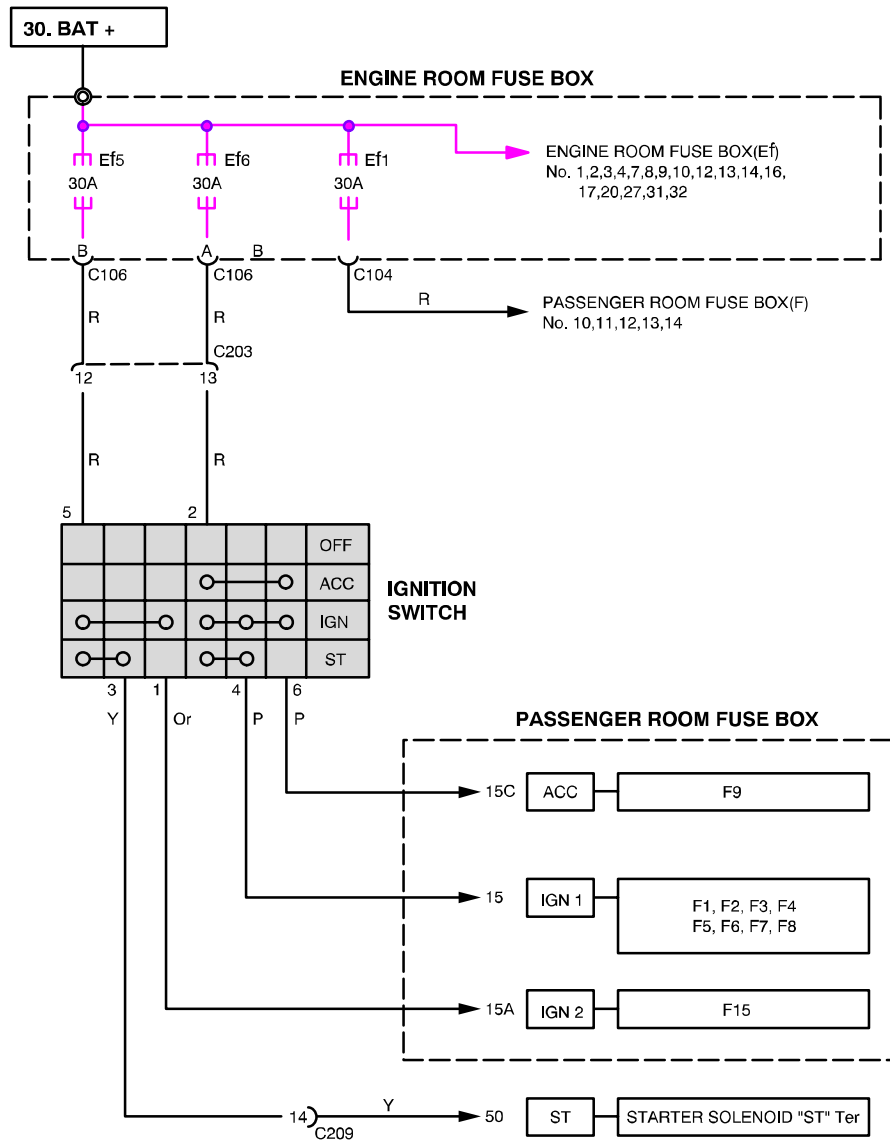


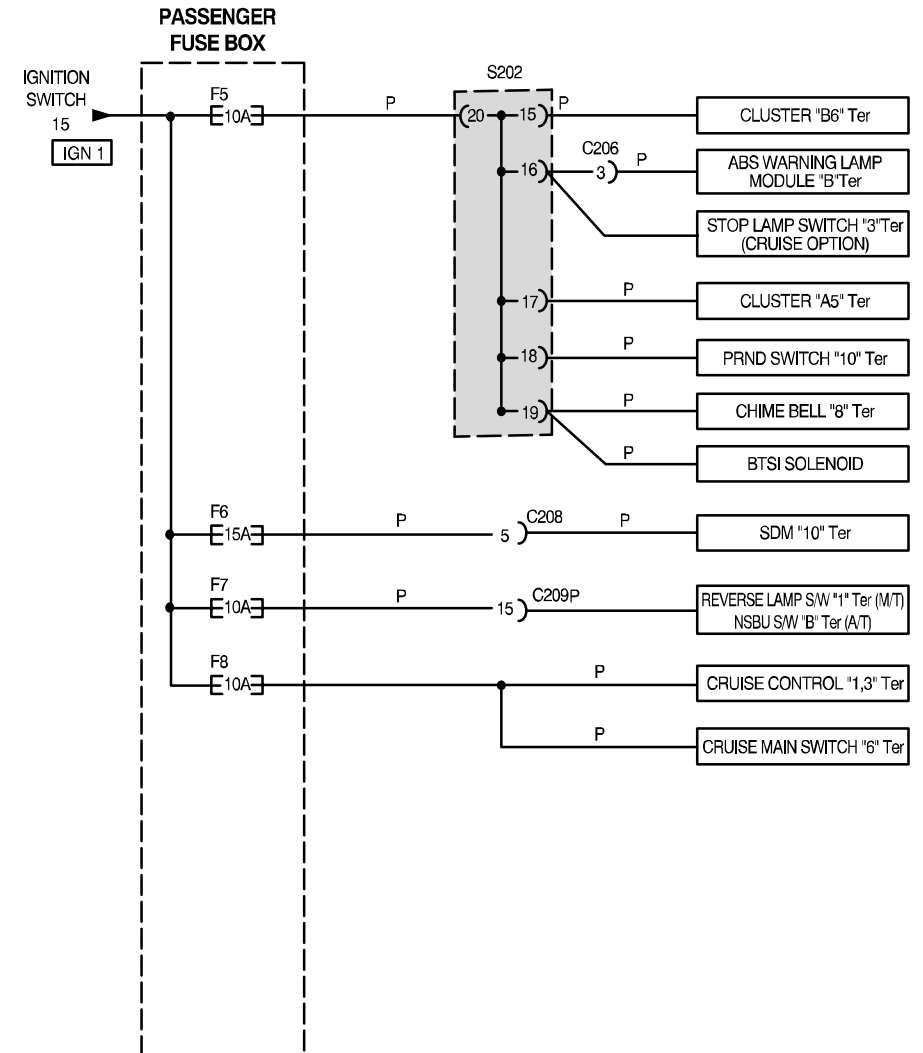
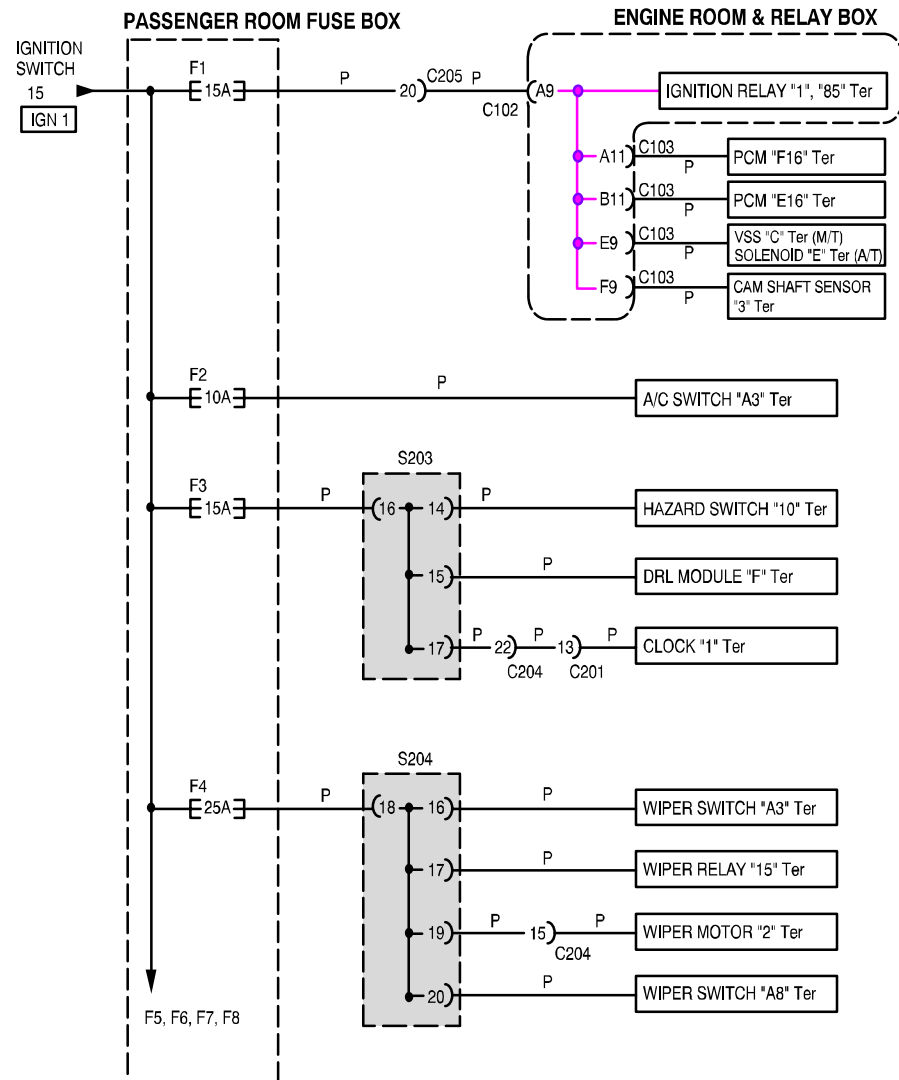
SECTION 3

WIRING DIAGRAM FOR POWER SUPPLIES

1. IGNITION SWITCH CIRCUIT

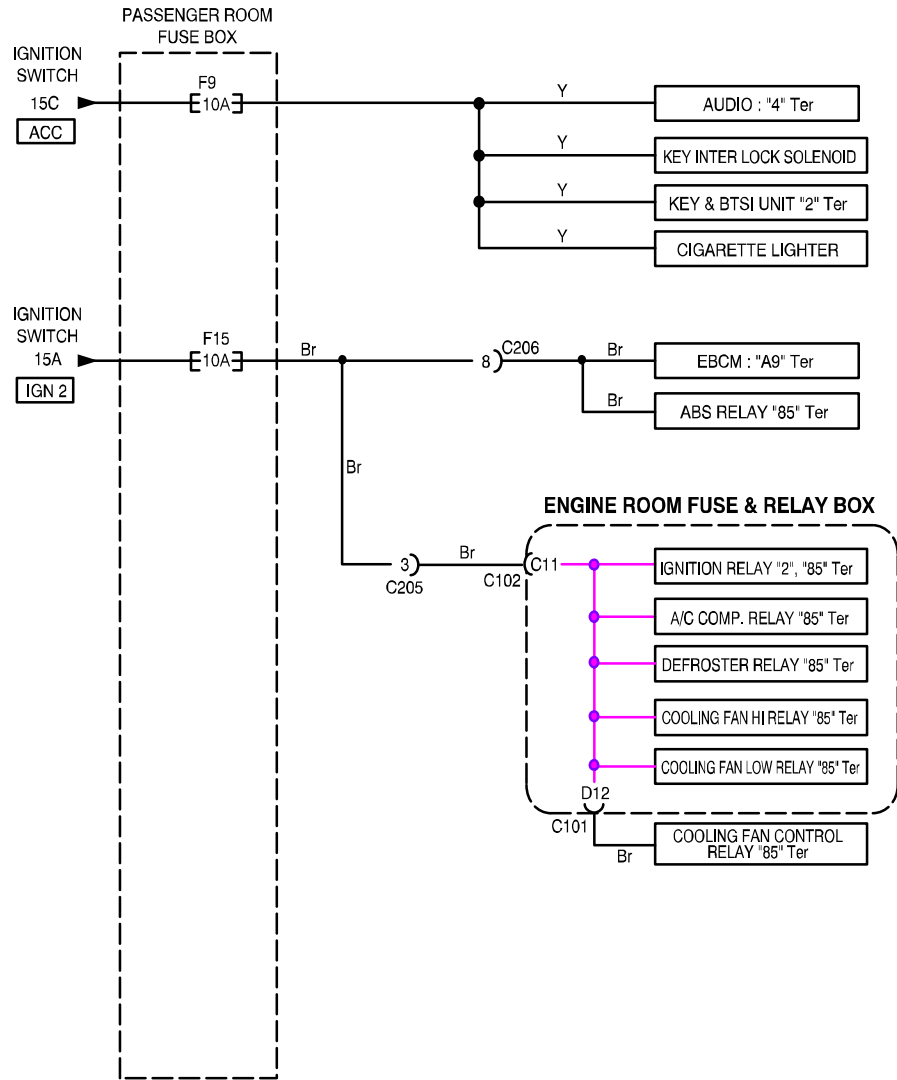


2. 30 Ter BAT+ POWER SUPPLY CIRCUIT(PASSENGER ROOM FUSE BOX)

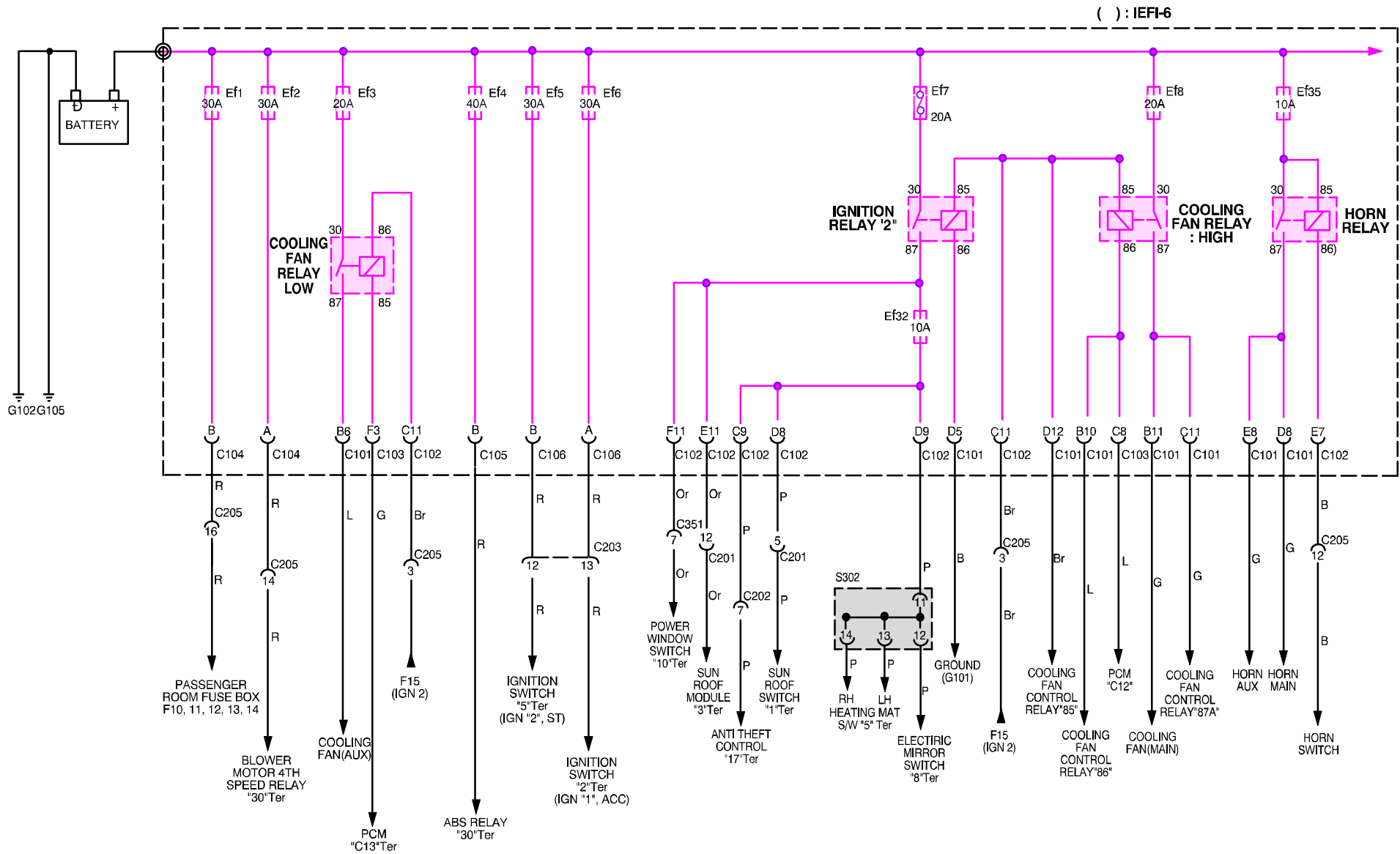


3-4 WIRING DIAGRAM FOR POWER SUPPLIES

3. 15A IGN 2, 15C ACC POWER SUPPLY CIRCUIT(PASSENGER ROOM FUSE BOX)



4. ENGINE ROOM FUSE & RELAY CIRCUIT



3-6 WIRING DIAGRAM FOR POWER SUPPLIES

